

EQUIP. TYPE *P390A/URR* EXP. NO.

Col. 357 9216 00

NOTICE: WHEN GOVERNMENT DRAWINGS, SPECIFICATIONS, OR OTHER DATA ARE USED FOR ANY PURPOSE OTHER THAN IN CONNECTION WITH A SPECIFICALLY PLATED DEFENSE PROCUREMENT OPERATION, THE UNITED STATES GOVERNMENT TAKES NO RESPONSIBILITY FOR ANY OMISSIONS, ERRORS, OR INACCURACIES THAT MAY BE MADE. THE DRAWING, SPECIFICATIONS, OR OTHER DATA IS NOT TO BE REPRODUCED OR TRANSMITTED IN ANY FORM OR BY ANY MEANS, ELECTRONIC OR MECHANICAL, INCLUDING PHOTOCOPYING, RECORDING, OR BY ANY INFORMATION STORAGE AND RETRIEVAL SYSTEM, WITHOUT PERMISSION IN WRITING FROM THE DIRECTOR, ARMY SIGNAL CORPS ENGINEERING LABORATORIES, FORT MONMOUTH, NEW JERSEY.

THIS DRAWING HAS BEEN PURCHASED BY THE GOVERNMENT AND MAY BE REPRODUCED AND USED IN CONNECTION WITH ANY GOVERNMENT PROCUREMENT OR DEFENSE OPERATION.

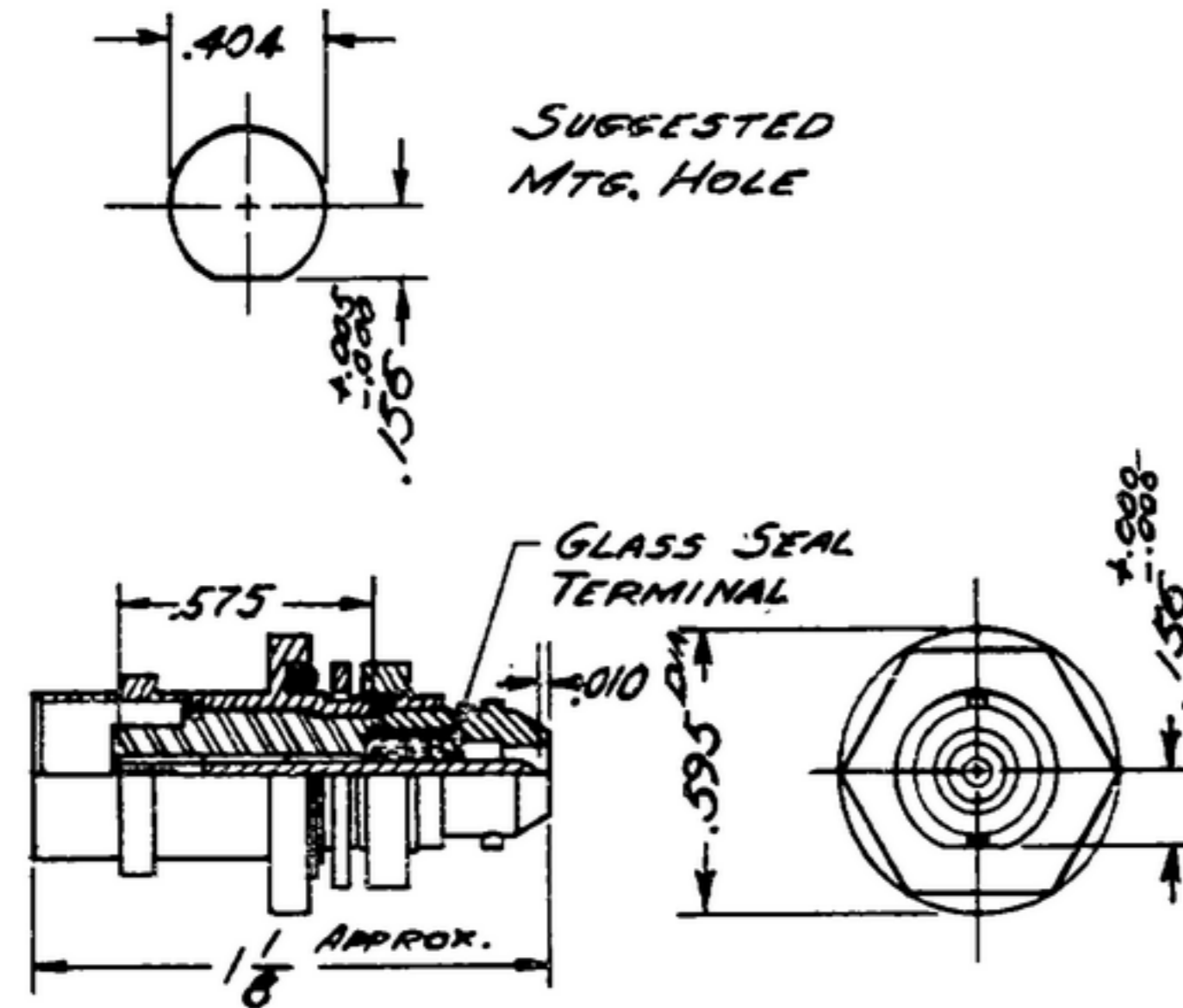
* FOR INFORMATION ONLY. CONTRACTOR MAY AT HIS OPTION DEVIATE FROM THESE PROCESS DETAILS.

~~ASME APPROVAL~~
~~SYM-PR10042-3~~

REVISIONS

SYM	DESCRIPTION	DATE	APPROVAL
A,	A, - M351B WAS M351	OCT 59	<i>RTPS</i> <i>PME</i>

** WHEN PART NO. APPEARS AS 559 0280 9-3 MILITARY SOURCE INSPECTION IS REQUIRED.*



SUGGESTED MFG. HOLE

NOTES:

- PART MAY BE 47200 AS SUPPLIED BY INDUSTRIAL PRODUCTS CO., PHILADELPHIA, PA., OR EQUAL, PROVIDING IT MEETS THE FOLLOWING REQUIREMENTS & DIMENSIONS SHOWN.
DESCRIPTION: PRESSURIZED BULKHEAD ADAPTER WITH TYPE BNC CONNECTOR (FEMALE CONTACT) & MFR'S TYPE MB MINATURE CONNECTOR (RECEPTACLE).
INSULATION: POLYTETRAFLUOROETHYLENE.
LEAKAGE: SHALL BE CAPABLE OF MEETING PRESSURIZATION REQUIREMENTS OF PARAGRAPHS 3.5 & 4.5.4 PER SPEC. MIL-C-3608.
MATERIAL: BRASS
FINISH: M351B PER SPEC. MIL-F-1A072.

(A)

COLLINE PART NO.	ITEM	QTY	PART NO.	DESCRIPTION	DATE	MATL SPEC.
LIST OF MATERIAL						
COLLINE PART NO. <i>559 0280 003</i>						

COLLINE NO.	QTY	NEXT ASSY	USED ON	DRAWN <i>HENRY</i> CHECKED <i>RL</i> APPROVED UNLESS OTHERWISE SPECIFIED: DECIMAL DIMENSIONS INCLUDING HOLE SIZES MAY VARY ±.008 FRACTIONAL DIMENSIONS INCLUDING HOLE SIZES MAY VARY ±1/64 MACHINED ANGLES MAY VARY ±.1° SHEARED ANGLES MAY VARY ±.25° BROKEN ANGLES MAY VARY ±.1° ECCENTRICITY BETWEEN ANY DIAMETERS ON THE SAME CENTERLINE SHALL NOT EXCEED .040 TOTAL INDICATOR READING. ALL DIMENSIONS ARE FINISH DIMENSIONS INCLUDING APPLIED FINISH AND ARE GIVEN IN INCHES.	COLLINS-RADIO CO. CEDAR RAPIDS, IOWA <i>14214 - PH-51-93</i> SIGNAL CORPS REVIEWED <i>PME</i> APPROVED <i>HLV</i> <i>PME</i> DATE <i>20 JAN 56</i> SCALE <i>2/11</i>	DEPARTMENT OF THE ARMY SIGNAL CORPS ENGINEERING LABORATORIES FORT MONMOUTH NEW JERSEY <i>SM-C-283179</i>
APPLICATION						